

Quick Product Brochure

ARCA | Euronord | ALN



ARCA IEC

FIBOX – Make Difficult Easy

HIGH PERFORMANCE CABINET

Superior performance and security in most demanding environments. Easy to use. Quick to install. All this is driven by innovation and market driven product development. ARCA IEC is a non corrosive and cost effective alternative to sheet steel cabinets being installed in harsh and demanding environments. In a nutshell, ARCA has all the features of steel but benefits of high grade thermoplastic.



PC: IP 66; IK 10
IP 65; IK 08 (W-versions)

DIMENSIONS:

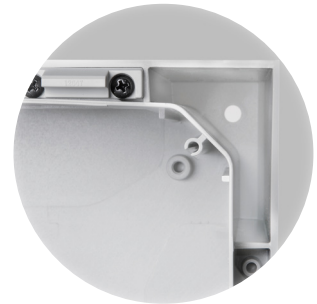
200 x 300 x 150 mm – 800 x 600 x 300 mm



Non corrosive



Patent hinge design



Robust corner design

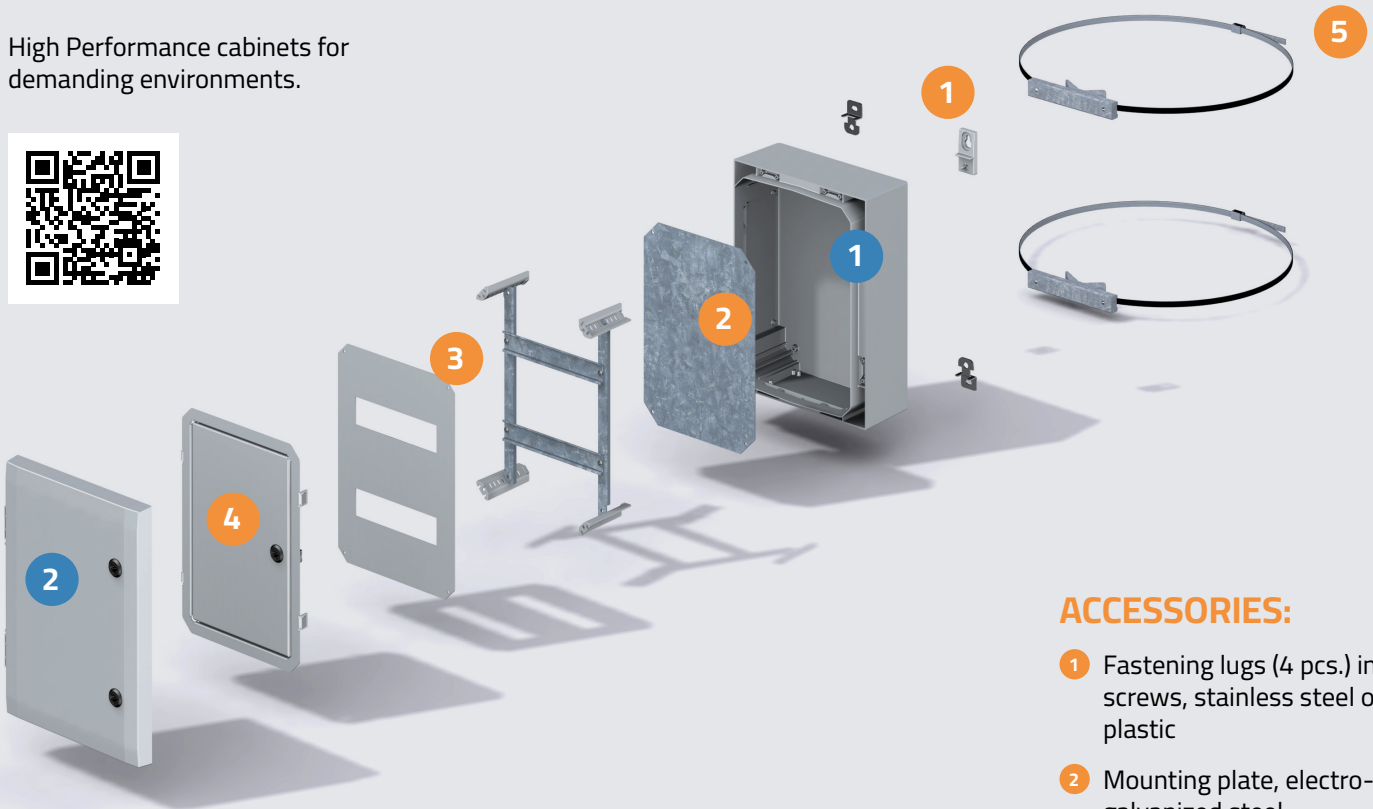
SIZES AND PRODUCT VERSIONS

| Dimensions | Standard locking grey door | Swing-handle locking grey door | | Standard locking door with window |
|-----------------|----------------------------|--------------------------------|--------------|-----------------------------------|
| | Symbol | Code | Symbol | Symbol |
| 200 x 300 x 150 | ARCA 203015 | | | ARCA 203015W |
| 300 x 200 x 150 | ARCA 302015 | | | ARCA 302015W |
| 300 x 300 x 210 | ARCA 303021 | | | ARCA 303021W |
| 300 x 400 x 150 | ARCA 304015 | | | ARCA 304015W |
| 300 x 400 x 210 | ARCA 304021 | | | ARCA 304021W |
| 400 x 300 x 150 | ARCA 403015 | 8120086 | ARCA 403015S | ARCA 403015W |
| 400 x 300 x 210 | ARCA 403021 | 8120087 | ARCA 403021S | ARCA 403021W |
| 400 x 400 x 210 | ARCA 404021 | 8120089 | ARCA 404021S | ARCA 404021W |
| 400 x 500 x 210 | ARCA 405021 | 8120105 | ARCA 405021S | ARCA 405021W |
| 400 x 600 x 210 | ARCA 406021 | 8120106 | ARCA 406021S | ARCA 406021W |
| 500 x 400 x 210 | ARCA 504021 | 8120091 | ARCA 504021S | ARCA 504021W |
| 500 x 500 x 210 | ARCA 505021 | 8120112 | ARCA 505021S | ARCA 505021W |
| 500 x 700 x 300 | ARCA 507030 | 8120111 | ARCA 507030S | ARCA 507030W |
| 600 x 400 x 210 | ARCA 604021 | 8120092 | ARCA 604021S | ARCA 604021W |
| 600 x 800 x 300 | ARCA 608030 | 8120109 | ARCA 608030S | ARCA 608030W |
| 700 x 500 x 300 | ARCA 705030 | 8120097 | ARCA 705030S | ARCA 705030W |
| 800 x 600 x 300 | ARCA 806030 | 8120099 | ARCA 806030S | ARCA 806030W |

| Product group | Control unit/cabinet | Power distribution unit/cabinet | Power distribution board | Terminal enclosure | Junction box | Instrumentation | Electronic devices |
|---------------|----------------------|---------------------------------|--------------------------|--------------------|--------------|-----------------|--------------------|
| ARCA IEC | ● | ● | - | - | - | - | - |



High Performance cabinets for demanding environments.



Including:

Cabinet base, door with PUR gasket, mounting plate, screws for mounting plate, 3 mm double bit lock(s) with key, door guide. S versions with swinghandle 2-point locking system. W versions with glazed door.

ENCLOSURE:

- 1 Enclosure base
- 2 Door, grey incl. PUR gasket and locks

ACCESSORIES:

- 1 Fastening lugs (4 pcs.) incl. screws, stainless steel or plastic
- 2 Mounting plate, electro-galvanized steel
- 3 DIN-rail set with front plate
- 4 Inner door
- 5 Pole mounting kit

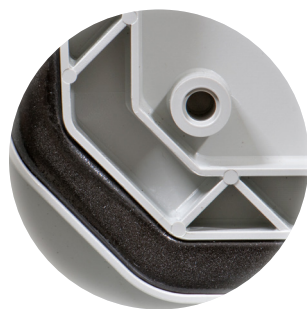
ARCA IEC

FIBOX – Make Difficult Easy

HIGH PERFORMANCE CABINET



Double corner construction
for increased rigidity



Wide gasket and moulded ribs
for better stability and ingress
protection



Door guide for secure closing

ACCESSORIES

Mounting plate plain Galvanized steel 2 mm

| Dimensions (H x W) | Code | Symbol | For cabinet |
|--------------------|---------|---------------|-------------|
| 150 x 250 | 8120731 | MPS ARCA 3020 | ARCA 203015 |
| 250 x 150 | 8120731 | MPS ARCA 3020 | ARCA 302015 |
| 250 x 250 | 8120732 | MPS ARCA 3030 | ARCA 303021 |
| 250 x 350 | 8120733 | MPS ARCA 4030 | ARCA 304015 |
| 250 x 350 | 8120733 | MPS ARCA 4030 | ARCA 304021 |
| 350 x 250 | 8120733 | MPS ARCA 4030 | ARCA 403015 |
| 350 x 250 | 8120733 | MPS ARCA 4030 | ARCA 403021 |
| 350 x 350 | 8120734 | MPS ARCA 4040 | ARCA 404021 |
| 350 x 450 | 8120735 | MPS ARCA 5040 | ARCA 405021 |
| 350 x 550 | 8120736 | MPS ARCA 6040 | ARCA 406021 |
| 450 x 350 | 8120735 | MPS ARCA 5040 | ARCA 504021 |
| 450 x 450 | 8120730 | MPS ARCA 5050 | ARCA 505021 |
| 430 x 630 | 8120738 | MPS ARCA 7050 | ARCA 507030 |
| 550 x 350 | 8120736 | MPS ARCA 6040 | ARCA 604021 |
| 530 x 730 | 8120739 | MPS ARCA 8060 | ARCA 608030 |
| 630 x 430 | 8120738 | MPS ARCA 7050 | ARCA 705030 |
| 730 x 530 | 8120739 | MPS ARCA 8060 | ARCA 806030 |

DIN rail set

Inner door set

| Code | Symbol | Description | Code | Symbol | For cabinet |
|---------|-----------------|--------------------|---------|---------------|-------------|
| 8120791 | DRS ARCA 203015 | 1 row x 11 modules | 8120910 | IDS ARCA 2030 | ARCA 203015 |
| 8120760 | DRS ARCA 302015 | 1 row x 5 modules | 8120711 | IDS ARCA 3020 | ARCA 302015 |
| 8120763 | DRS ARCA 303021 | 2 row x 11 modules | 8120712 | IDS ARCA 3030 | ARCA 303021 |
| 8120793 | DRS ARCA 304015 | 1 row x 16 modules | 8120911 | IDS ARCA 3040 | ARCA 304015 |
| 8120794 | DRS ARCA 304021 | 1 row x 16 modules | 8120911 | IDS ARCA 3040 | ARCA 304021 |
| 8120764 | DRS ARCA 403015 | 2 row x 11 modules | 8120713 | IDS ARCA 4030 | ARCA 403015 |
| 8120765 | DRS ARCA 403021 | 2 row x 11 modules | 8120713 | IDS ARCA 4030 | ARCA 403021 |
| 8120767 | DRS ARCA 404021 | 2 row x 17 modules | 8120714 | IDS ARCA 4040 | ARCA 404021 |
| 8120796 | DRS ARCA 405021 | 2 row x 22 modules | 8120912 | IDS ARCA 4050 | ARCA 405021 |
| 8120797 | DRS ARCA 406021 | 2 row x 27 modules | 8120913 | IDS ARCA 4060 | ARCA 406021 |
| 8120769 | DRS ARCA 504021 | 3 row x 16 modules | 8120715 | IDS ARCA 5040 | ARCA 504021 |
| 8120778 | DRS ARCA 505021 | 3 row x 22 modules | 8120710 | IDS ARCA 5050 | ARCA 505021 |
| 8120790 | DRS ARCA 507030 | 3 row x 32 modules | 8120914 | IDS ARCA 5070 | ARCA 507030 |
| 8120770 | DRS ARCA 604021 | 3 row x 16 modules | 8120716 | IDS ARCA 6040 | ARCA 604021 |
| 8120800 | DRS ARCA 608030 | 3 row x 37 modules | 8120915 | IDS ARCA 6080 | ARCA 608030 |
| 8120775 | DRS ARCA 705030 | 4 row x 21 modules | 8120718 | IDS ARCA 7050 | ARCA 705030 |
| 8120777 | DRS ARCA 806030 | 4 row x 26 modules | 8120719 | IDS ARCA 8060 | ARCA 806030 |



Lock inserts

| Code | Symbol | Description |
|---------|------------------------------|---|
| 8120860 | LIS ARCA DB3 | Locking insert Double-bit 3 mm for ARCA 2030 up to 6040 |
| 8120980 | LIS ARCA DB3 MID | Locking insert Double-bit 3 mm for ARCA 5070 up to 8060 |
| 8120861 | LIS ARCA S7 | Locking insert Square 7 mm for ARCA 2030 up to 6040 |
| 8120981 | LIS ARCA S7 MID | Locking insert Square 7 mm for ARCA 5070 up to 8060 |
| 8120862 | LIS ARCA S8 | Locking insert Square 8 mm for ARCA 2030 up to 6040 |
| 8120982 | LIS ARCA S8 MID | Locking insert Square 8 mm for ARCA 5070 up to 8060 |
| 8120863 | LIS ARCA T8 | Locking insert Triangular 8 mm for ARCA 2030 up to 6040 |
| 8120983 | LIS ARCA T8 MID | Locking insert Triangular 8 mm for ARCA 5070 up to 8060 |
| 8120850 | LIS ARCA padlock handle | Padlock handle for 2030-6040 |
| 8120865 | LIS ARCA 1242E wingknob | Locking 1242E system for ARCA 2030 up to 6040 |
| 8120985 | LIS ARCA 1242E MID wingknob | Locking 1242E system for ARCA 5070 up to 8060 |
| 8120866 | LIS ARCA V2432E wingknob | Locking V2432E system for ARCA 2030 up to 6040 |
| 8120986 | LIS ARCA V2432E MID wingknob | Locking V2432E system for ARCA 5070 up to 8060 |
| 8120867 | LIS ARCA 455E wingknob | Locking 455E system for ARCA 2030 up to 6040 |
| 8120987 | LIS ARCA 455E MID wingknob | Locking 455E system for ARCA 5070 up to 8060 |
| 8120868 | LIS ARCA 405E wingknob | Locking 405E system for ARCA 2030 up to 6040 |
| 8120988 | LIS ARCA 405E MID wingknob | Locking 405E system for ARCA 5070 up to 8060 |

Corner adjustment sets

| Code | Symbol | Description |
|---------|-------------|--|
| 8120810 | CBS ARCA 15 | Corner adjustment set for sizes with depth 150 |
| 8120811 | CBS ARCA 21 | Corner adjustment set for sizes with depth 210 |
| 8120812 | CBS ARCA 30 | Corner adjustment set for sizes with depth 300 |

Wall mounting lugs set

| Code | Symbol | Description |
|---------|-------------------|--|
| 8120830 | WMK ARCA 10 SMALL | Stainless Wall mounting lugs set adds 10 mm between wall and cabinet |
| 8120831 | WMK ARCA 40 SMALL | Stainless Wall mounting lugs set adds 40 mm between wall and cabinet |
| 8120904 | WMK ARCA 10 MID | Stainless Wall mounting lugs set for 5070-8060 adds 10 mm between wall and cabinet |
| 8120905 | WMK ARCA 40 MID | Stainless Wall mounting lugs set for 5070-8060 adds 40 mm between wall and cabinet |
| 8120832 | WMKQ10S | Plastic Wall mounting lugs set adds 10 mm between wall and cabinet |
| 8120833 | WMKQ50S | Plastic Wall mounting lugs set adds 50 mm between wall and cabinet |
| 8120834 | WMKQ10M | Plastic Wall mounting lugs set for 5070-8060 adds 10 mm between wall and cabinet |

Half cylinder locks for swinghandle

| Code | Symbol | Description |
|---------|-----------------|---------------------------------------|
| 8120870 | CLI ARCA DB3 | Half cylinder locking Double-bit 3 mm |
| 8120871 | CLI ARCA S7 | Half cylinder locking Square 7 mm |
| 8120872 | CLI ARCA S8 | Half cylinder locking Square 8 mm |
| 8120873 | CLI ARCA T8 | Half cylinder locking Triangular 8 mm |
| 8120875 | CLI ARCA 1242E | Half cylinder locking 1242E system |
| 8120876 | CLI ARCA V2432E | Half cylinder locking V2432E system |
| 8120877 | CLI ARCA 455E | Half cylinder locking 455E system |
| 8120878 | CLI ARCA 405E | Half cylinder locking 405E system |

Hinge sets

| Code | Symbol | Description |
|---------|------------|--|
| 8120891 | FHS S ARCA | Hinge set small for sizes 200 x 300 - 600 x 400 |
| 8120892 | FHS M ARCA | Hinge set medium for sizes 500 x 700 - 800 x 600 |

EURONORD

BRINGS INTERCHANGEABILITY

Euronord enclosures come in over 170 standard sizes, meaning huge interchangeability with the products you may already have. The latest addition Euronord 3 range incorporates a number of innovative features, for example quick release corrosion resistant cover screws, and recessed middle area of the cover for membrane keyboards and prints.

PC: IP 66/67; IK 07 (side surface), IK 08 (front surface)

ABS: IP 66/67; IK 0, **P:** IP 66/67; IK 08

Dimensions:

50 x 52 x 40 mm – 360 x 400 x 151 mm



SIZES AND PRODUCT VERSIONS

| Dimensions | Polycarbonate grey cover | | Polycarbonate transparent cover | | Polycarbonate grey cover, quick locking | | Polycarbonate, transparent cover, quick locking | | ABS grey cover | | ABS grey cover, quick locking | | Polyester grey cover | |
|----------------|--------------------------|------------|---------------------------------|------------|---|-------------|---|--------------|----------------|-----------|-------------------------------|-------------|----------------------|----------|
| | Code | Symbol | Code | Symbol | Code | Symbol | Code | Symbol | Code | Symbol | Code | Symbol | Code | Symbol |
| 52 x 50 x 40 | 7032500 | PC 050504 | 7022521 | PCT 050705 | | | | | 7083500 | AB 050504 | | | | |
| 50 x 65 x 45 | 7032520 | PC 050705 | | | | | | | 7083520 | AB 050705 | | | | |
| 66 x 98 x 41 | 7032530 | PC 071004 | | | | | | | 7083530 | AB 071004 | | | | |
| 80 x 82 x 55 | 7032540 | PC 080806 | 7022541 | PCT 080806 | | | | | 7083540 | AB 080806 | | | 7094140 | P 080806 |
| 80 x 82 x 65 | 7032560 | PC 080807 | 7022561 | PCT 080807 | | | | | 7083560 | AB 080807 | | | | |
| 80 x 82 x 85 | 7032550 | PC 080809 | | | | | | | | | | | | |
| 80 x 82 x 95 | 7032570 | PC 080810 | | | | | | | | | | | | |
| 75 x 110 x 55 | | | | | | | | | | | | | 7094150 | P 081106 |
| 80 x 120 x 55 | 7032580 | PC 081206 | 7022581 | PCT 081206 | | | | | 7083580 | AB 081206 | | | | |
| 80 x 120 x 60 | 7032590 | PC 081206H | | | | | | | | | | | | |
| 80 x 120 x 85 | 7032600 | PC 081209 | | | | | | | | | | | | |
| 80 x 120 x 90 | 7032610 | PC 081209H | | | | | | | | | | | | |
| 80 x 160 x 55 | 7032630 | PC 081606 | 7022631 | PCT 081606 | | | | | | | | | 7094170 | P 081606 |
| 80 x 160 x 65 | 7032620 | PC 081607 | 7022621 | PCT 081607 | | | | | 7083620 | AB 081607 | | | | |
| 80 x 160 x 85 | 7032650 | PC 081609 | 7022651 | PCT 081609 | | | | | 7083650 | AB 081609 | | | | |
| 80 x 160 x 95 | 7032640 | PC 081610 | 7022641 | PCT 081610 | | | | | 7083640 | AB 081610 | | | | |
| 75 x 190 x 55 | | | | | | | | | | | | | 7094190 | P 081906 |
| 120x 120 x 75 | | PC121208 | | PCT121208 | | | | | | | | | | |
| 120x 122 x 65 | 7032660 | PC 121207 | 7022661 | PCT 121207 | | | | | 7083660 | AB 121207 | | | | |
| 120x 122 x 75 | 7032670 | PC 121208 | | | | | | | | | | | | |
| 120x 122 x 90 | | | | | | | | | | | | | 7094220 | P 121209 |
| 120x 122 x 95 | 7032680 | PC 121210 | 7022681 | PCT 121210 | | | | | 7083680 | AB 121210 | | | | |
| 120x 122 x 105 | 7032690 | PC 121211 | | | | | | | | | | | | |
| 120x 160 x 90 | 7032720 | PC 121609 | 7022721 | PCT 121609 | | | | | 7083720 | AB 121609 | | | | |
| 120x 160 x 140 | 7032730 | PC 121614 | 7022731 | PCT 121614 | | | | | 7083730 | AB 121614 | | | | |
| 120x 200 x 75 | 7032760 | PC 122008 | 7022761 | PCT 122008 | | | | | 7083760 | AB 122008 | | | | |
| 120x 200 x 90 | 7032770 | PC 122009 | 7022771 | PCT 122009 | | | | | 7083770 | AB 122009 | | | 7094240 | P 122209 |
| 124x 244 x 102 | 7032780 | PC 122410 | 7022781 | PCT 122410 | 7035781 | PCQ3 122410 | 7025780 | PCTQ3 122410 | 7083780 | AB 122410 | 7085781 | ABQ3 122410 | | |
| 150x 201 x 80 | 7032820 | PC 152008 | 7022821 | PCT 152008 | | | | | 7083820 | AB 152008 | | | | |
| 150x 340 x 101 | 7032700 | PC 153410 | | | 7035701 | PCQ3 153410 | 7025700 | PCTQ3 153410 | 7083700 | AB 153410 | 7085701 | ABQ3 153410 | | |
| 150x 340 x 121 | 7032710 | PC 153412 | 7022711 | PCT 153412 | | | | | 7083710 | AB 153412 | | | | |
| 160x 160 x 90 | | | | | | | | | | | | | 7094280 | P 161609 |
| 164x 244 x 90 | 7032810 | PC 162409 | 7022811 | PCT 162409 | 7035811 | PCQ3 162409 | 7025810 | PCTQ3 162409 | | | 7085811 | ABQ3 162409 | | |
| 164x 244 x 120 | 7032830 | PC 162412 | 7022831 | PCT 162412 | | | | | | | | | | |
| 160x 250 x 90 | 7032840 | PC 162509 | 7022841 | PCT 162509 | | | | | 7083840 | AB 162509 | | | | |
| 160x 250 x 125 | 7032860 | PC 162513 | 7022861 | PCT 162513 | | | | | 7083860 | AB 162513 | | | | |
| 160x 250 x 150 | 7032740 | PC 162515 | | | | | | | | | | | | |
| 160x 260 x 90 | | | | | | | | | | | | | 7094300 | P 162609 |
| 160x 360 x 90 | | | | | | | | | | | | | 7094320 | P 163609 |
| 160x 360 x 101 | 7032750 | PC 163610 | 7022851 | PCT 163610 | 7035751 | PCQ3 163610 | 7025750 | PCTQ3 163610 | 7083750 | AB 163610 | 7085751 | ABQ3 163610 | | |
| 200x 360 x 120 | | | | | 7035791 | PCQ3 203612 | 7025790 | PCTQ3 203612 | | | 7085791 | ABQ3 203612 | | |
| 200x 360 x 151 | 7032790 | PC 203615 | 7022791 | PCT 203615 | | | | | | | | | | |
| 230x 300 x 87 | 7032870 | PC 233009 | 7022871 | PCT 233009 | | | | | 7083870 | AB 233009 | | | | |
| 230x 300 x 110 | 7032890 | PC 233011 | 7022891 | PCT 233011 | | | | | 7083890 | AB 233011 | | | | |
| 250x 255 x 120 | | | | | | | | | | | | | 7094370 | P 252612 |
| 250x 400 x 120 | | | | | | | | | | | | | 7094400 | P 254012 |
| 360x 400 x 120 | | | | | | | | | | | 7085881 | ABQ3 364012 | | |
| 360x 400 x 151 | | | | | | | | | 7083880 | AB 364015 | | | | |

| Product group | Control unit/cabinet | Power distribution unit/cabinet | Power distribution board | Terminal enclosure | Junction box | Instrumentation | Electronic devices |
|---------------|----------------------|---------------------------------|--------------------------|--------------------|--------------|-----------------|--------------------|
| EURONORD | - | - | - | ● | - | ● | ● |

ACCESSORIES

| Mounting plates (Galvanized steel, 1,5 mm) | | | |
|--|---------|---------|---|
| Dimensions | Code | Symbol | For enclosures |
| 26 x 44 | 9512009 | TM 0505 | PC / PCT / AB 0505 |
| 26 x 57 | 9512010 | TM 0507 | PC / PCT / AB 0507 |
| 56 x 71 | 9512011 | TM 0808 | PC / PCT / AB 0808 |
| 71 x 94 | 9512012 | TM 0812 | PC / PCT / AB 0812 |
| 71 x 134 | 9512013 | TM 0816 | PC / PCT / AB 0816 |
| 96 x 111 | 9512014 | TM 1212 | PC / PCT / AB 1212 |
| 111 x 134 | 9512036 | TM 1216 | PC / PCT / AB 1216 |
| 111 x 174 | 9512015 | TM 1220 | PC / PCT / AB 1220 |
| 214 x 111 | 9512016 | TM 1224 | PC / PCT / AB / PCQ3/ PCTQ3 / ABQ3 1224 |
| 141 x 174 | 9512017 | TM 1520 | PC / PCT / AB 1520 |
| 303 x 136 | 9512021 | TM 1534 | PC / PCT / AB / PCQ3/ PCTQ3 / ABQ3 1534 |
| 212 x 151 | 9512022 | TM 1624 | PC / PCT / AB / PCQ3/ PCTQ3 / ABQ3 1624 |
| 151 x 224 | 9512018 | TM 1625 | PC / PCT / AB 1625 |
| 318 x 146 | 9512023 | TM 1636 | PC / PCT / AB / PCQ3/ PCTQ3 / ABQ3 1636 |
| 318 x 186 | 9512024 | TM 2036 | PC / PCT / AB / PCQ3/ PCTQ3 / ABQ3 2036 |
| 221 x 274 | 9512019 | TM 2330 | PC / PCT / AB 2330 |
| 383 x 315 | 9512025 | TM 3640 | PC / PCT / AB 3640 |
| 64 x 69 | 9823000 | PM 0808 | P 080806 |
| 64 x 99 | 9823001 | PM 0811 | P 081106 |
| 64 x 149 | 9823002 | PM 0816 | P 081606 |
| 64 x 179 | 9823003 | PM 0819 | P 081906 |
| 107 x 110 | 9511150 | AM 1212 | P 121209 |
| 107 x 207 | 9511095 | AM 1222 | P 122209 |
| 146 x 146 | 9823006 | PM 1616 | P 161609 |
| 146 x 224 | 9823007 | PM 1626 | P 162609 |
| 146 x 346 | 9511175 | AM 1636 | P 163609 |
| 231 x 240 | 9823009 | PM 2526 | P 252612 |
| 231 x 383 | 9823010 | PM 2540 | P 254012 |
| 390 x 385 | 9823011 | PM 4040 | P 404012 |

| Mounting screws for mounting plates | | | |
|-------------------------------------|---------|------------|----------------------------------|
| Dimensions | Code | Symbol | For enclosures |
| M4x6 | 7028548 | MR 28548ZN | Euronord P size 080806 to 081906 |
| M6x8 | 7028549 | MR 28549ZN | Euronord P size 121209 to 404012 |

| DIN-rail 15 mm, long (Galvanized steel) | | | |
|---|---------|----------|--------------------|
| Dimensions | Code | Symbol | For enclosures |
| 48 x 15 | 9820001 | TRM 0507 | PC / PCT / AB 0507 |
| 68 x 15 | 9820004 | TRM 0808 | PC / PCT / AB 0808 |
| 106 x 15 | 9820009 | TRM 0812 | PC / PCT / AB 0812 |
| 146 x 15 | 9820013 | TRM 0816 | PC / PCT / AB 0816 |
| 110 x 15 | 9820008 | TRM 1212 | PC / PCT / AB 1212 |
| 146 x 15 | 9820013 | TRM 0816 | PC / PCT / AB 1216 |
| 68 x 15 | 9820004 | TRM 0808 | P 080806 |
| 99 x 15 | 9820006 | PRM 0811 | P 081106 |
| 149 x 15 | 9820012 | PRM 0816 | P 081606 |
| 179 x 15 | 9820015 | PRM 0819 | P 081906 |
| 140 x 15 | 9820011 | ARM 0615 | P 161609 |

| DIN-rail 15 mm, short (Galvanized steel) | | | |
|--|---------|----------|---|
| Dimensions | Code | Symbol | For enclosures |
| 68 x 15 | 9820004 | TRM 0808 | PC / PCT / AB 0812 |
| 68 x 15 | 9820004 | TRM 0808 | PC / PCT / AB 0816 |
| 110 x 15 | 9820008 | TRM 1212 | PC / PCT / AB / PCQ3/ PCTQ3 / ABQ3 1224 |
| 140 x 15 | 9820011 | ARM 0615 | PC / PCT / AB / PCQ3/ PCTQ3 / ABQ3 1636 |
| 146 x 15 | 9820013 | TRM 0816 | PC / PCT / AB 2330 |

| DIN-rail 35 mm, short (Galvanized steel) | | | |
|--|---------|----------|---|
| Dimensions | Code | Symbol | For enclosures |
| 100 x 35 | 5514082 | MIV 10 | PC / PCT / AB 1216 |
| 100 x 35 | 5514082 | MIV 10 | PC / PCT / AB 1220 |
| 110 x 35 | 9822002 | TRH 1212 | PC / PCT / AB / PCQ3/ PCTQ3 / ABQ3 1224 |
| 122 x 35 | 9822021 | TRH 15 | PC / PCT / AB / PCQ3/ PCTQ3 / ABQ3 1534 |
| 146 x 35 | 9852028 | TRH 1216 | PC / PCT / AB 1625 |
| 140 x 35 | 8524032 | DH-3 | PC / PCT / AB / PCQ3/ PCTQ3 / ABQ3 1636 |

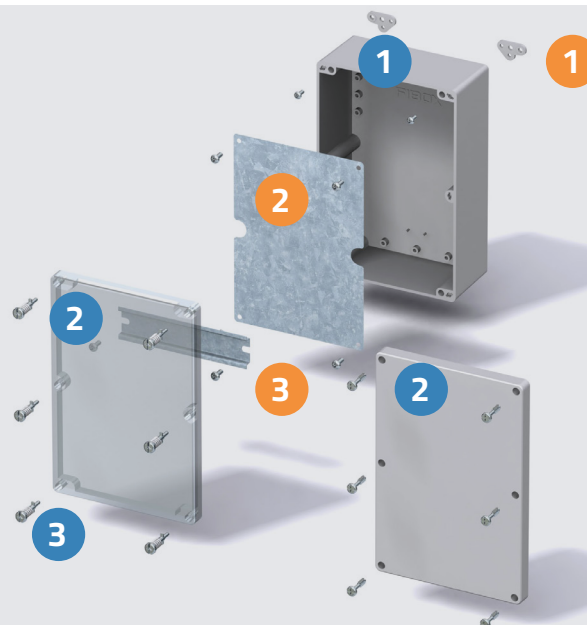
| DIN-rail 35 mm, long (Galvanized steel) | | | |
|---|---------|----------|---|
| Dimensions | Code | Symbol | For enclosures |
| 146 x 35 | 9822028 | TRH 1216 | PC / PCT / AB 0816 |
| 110 x 35 | 9822002 | TRH 1212 | PC / PCT / AB 1212 |
| 146 x 35 | 9822028 | TRH 1216 | PC / PCT / AB 1216 |
| 186 x 35 | 9822006 | TRH 1220 | PC / PCT / AB 1220 |
| 226 x 35 | 9822008 | TRH 24 | PC / PCT / AB / PCQ3/ PCTQ3 / ABQ3 1224 |
| 186 x 35 | 9822006 | TRH 1220 | PC / PCT / AB 1520 |
| 307 x 35 | 9822022 | TRH 34 | PC / PCT / AB / PCQ3/ PCTQ3 / ABQ3 1534 |
| 226 x 35 | 9822008 | TRH 24 | PC / PCT / AB / PCQ3/ PCTQ3 / ABQ3 1624 |
| 226 x 35 | 9822008 | TRH 24 | PC / PCT / AB 1625 |
| 340 x 35 | 9822023 | TRH 2036 | PC / PCT / AB / PCQ3/ PCTQ3 / ABQ3 1636 |
| 340 x 35 | 9822023 | TRH 2036 | PC / PCT / AB / PCQ3/ PCTQ3 / ABQ3 2036 |
| 285 x 35 | 9822013 | TRH 2330 | PC / PCT / AB 2330 |
| 380 x 35 | 9822024 | TRH 40 | PC / PCT / AB 3640 |
| 146 x 35 | 9852028 | TRH 1216 | P 081606 |
| 105 x 35 | 9822001 | ARH 12 | P 121209 |
| 203 x 35 | 9822007 | ARH 22 | P 122209 |
| 140 x 35 | 9822003 | ARH 16 | P 161609 |
| 240 x 35 | 9822011 | ARH 26 | P 162609 |
| 343 x 35 | 9822015 | ARH 36 | P 163609 |
| 238 x 35 | 9821007 | PRH 2526 | P 252612 |
| 383 x 35 | 9822017 | ARH 40 | P 254012 |
| 383 x 35 | 9822017 | ARH 40 | P 404012 |

| Other accessories | | |
|-------------------|-----------|--|
| Code | Symbol | Description |
| 8522346 | FP 22046 | Wall fastening lugs (4 pcs.) incl. screws |
| 9802001 | TH A | Grey plastic hinges (2 pcs.) incl. mounting screws |
| 7028540 | MRS 28540 | Wall fastening lugs (2 pcs.) incl. screws for enclosures P 0808 - P 0819 |
| 7028541 | MRS 28541 | Wall fastening lugs (2 pcs.) incl. screws for enclosures P 1212 - P 4040 |

Secure protection of terminal blocks and electronic devices.



Including:
Base with screws for mounting plate/
DIN-rail, cover with PUR gasket and stainless steel cover screws.

**ENCLOSURE:**

- 1 Base
- 2 Cover, grey or transparent
- 3 Rapidly installed QuickLock cover screws

ACCESSORIES:

- 1 Fastening lugs (4 pcs.) incl. screws
- 2 Mounting plate, electro-galvanized steel resistance to corrosion
- 3 DIN rail, different sizes TS 15 / TS 35

ALN

FIBOX – Make Difficult Easy

FOR THE PROTECTIVE LIGHTNESS OF ALUMINIUM

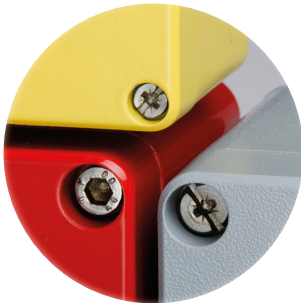
Our ALN enclosures can be mounted almost anywhere, so it's just as well they withstand so much! Knocks, bangs, chemicals, temperatures that swing from tropical to frozen, or where EMC protection is an issue – ALN beats the competition in guarding against it all.

ALN: IP 66/67/68; IK 08



DIMENSIONS:

60 x 66 x 46 mm – 310 x 600 x 180 mm



High resistance to chemical attack (painted)



EMC shielding



Higher temperature range

SIZES AND PRODUCT VERSIONS

| Dimensions | Aluminium painted enclosures | | Aluminium unpainted enclosures | |
|-----------------|------------------------------|------------|--------------------------------|---------------|
| | Code | Symbol | Code | Symbol |
| 66 x 60 x 46 | 7811060 | ALN 060605 | 7831060 | ALN 060605 UP |
| 66 x 100 x 46 | 7811080 | ALN 061005 | 7831080 | ALN 061005 UP |
| 82 x 77 x 57 | 7811130 | ALN 080806 | 7831130 | ALN 080806 UP |
| 81 x 127 x 57 | 7811150 | ALN 081306 | 7831150 | ALN 081306 UP |
| 81 x 177 x 57 | 7811170 | ALN 081806 | 7831170 | ALN 081806 UP |
| 81 x 252 x 57 | 7811190 | ALN 082506 | 7831190 | ALN 082506 UP |
| 125 x 124 x 81 | 7811210 | ALN 121208 | 7831210 | ALN 121208 UP |
| 125 x 222 x 81 | 7811230 | ALN 122208 | 7831230 | ALN 122208 UP |
| 120 x 360 x 82 | 7811250 | ALN 123608 | 7831250 | ALN 123608 UP |
| 162 x 163 x 91 | 7811270 | ALN 161609 | 7831270 | ALN 161609 UP |
| 162 x 262 x 91 | 7811290 | ALN 162609 | 7831290 | ALN 162609 UP |
| 164 x 364 x 91 | 7811310 | ALN 163609 | 7831310 | ALN 163609 UP |
| 234 x 204 x 111 | 7811350 | ALN 232011 | 7831350 | ALN 232011 UP |
| 234 x 284 x 111 | 7811370 | ALN 232811 | 7831370 | ALN 232811 UP |
| 230 x 330 x 110 | 7811380 | ALN 233311 | 7831380 | ALN 233311 UP |
| 230 x 330 x 180 | 7811390 | ALN 233318 | 7831390 | ALN 233318 UP |
| 230 x 410 x 180 | 7811410 | ALN 234018 | 7831410 | ALN 234018 UP |
| 310 x 402 x 180 | 7811460 | ALN 314018 | 7831450 | ALN 314011 UP |
| 309 x 600 x 112 | 7811470 | ALN 316011 | 7831460 | ALN 314018 UP |
| 310 x 600 x 180 | 7811480 | ALN 316018 | 7831480 | ALN 316018 UP |

| Product group | Control unit/cabinet | Power distribution unit/cabinet | Power distribution board | Terminal enclosure | Junction box | Instrumentation | Electronic devices |
|---------------|----------------------|---------------------------------|--------------------------|--------------------|--------------|-----------------|--------------------|
| ALN | ● | – | – | ● | – | ● | ● |

ACCESSORIES

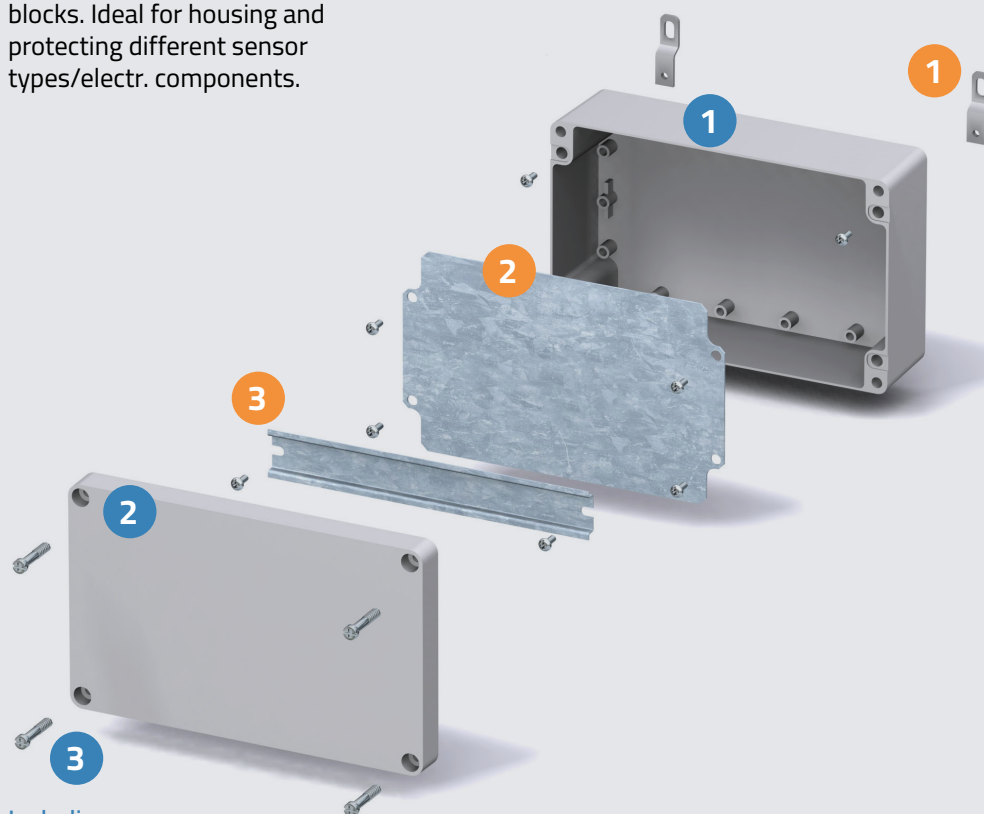
| Mounting plate plain (Galvanized steel, 1,5 mm) | | | |
|---|---------|---------|-----------------|
| Dimensions | Code | Symbol | For enclosures |
| 69 x 64 | 9823015 | AM 0808 | ALN 080806 |
| 69 x 114 | 9511043 | AM 0813 | ALN 081306 |
| 69 x 164 | 9823017 | AM 0818 | ALN 081806 |
| 69 x 240 | 9511007 | AM 0825 | ALN 082506 |
| 107 x 110 | 9511150 | AM 1212 | ALN 121208 |
| 107 x 207 | 9511095 | AM 1222 | ALN 122208 |
| 107 x 347 | 9511174 | AM 1236 | ALN 123608 |
| 146 x 146 | 9511149 | AM 1616 | ALN 161609 |
| 146 x 244 | 9511096 | AM 1626 | ALN 162609 |
| 146 x 346 | 9511175 | AM 1636 | ALN 163609 |
| 215 x 184 | 9511015 | AM 2320 | ALN 232011 |
| 215 x 264 | 9511016 | AM 2328 | ALN 232811 |
| 215 x 315 | 9511017 | AM 2333 | ALN 233311 / 18 |
| 215 x 385 | 9511018 | AM 2340 | ALN 234018 |
| 294 x 387 | 9511020 | AM 3140 | ALN 314018 |
| 293 x 585 | 9511021 | AM 3160 | ALN 316011 / 18 |

| Other accessories | | |
|-------------------|-----------|--|
| Code | Symbol | Description |
| 7028540 | MRS 28540 | Wall fastening lugs (2 pcs.) incl. screws for enclosures ALN 0606 - ALN 0825 |
| 7028541 | MRS 28541 | Wall fastening lugs (2 pcs.) incl. screws for enclosures ALN 1212 - ALN 6031 |
| 9801059 | AH New | Hinges (2 pcs.) incl. mounting screws |
| 7028540 | MRS 28540 | Wall fastening lugs (2 pcs.) incl. screws for enclosures P 0808 - P 0819 |
| 7028541 | MRS 28541 | Wall fastening lugs (2 pcs.) incl. screws for enclosures P 1212 - P 4040 |

| DIN-rail 15 mm, long (Galvanized steel) | | | |
|---|---------|----------|----------------|
| Dimensions | Code | Symbol | For enclosures |
| 48 x 15 | 9820001 | TRM 0507 | ALN 060605 |
| 88 x 15 | 9820005 | ARM 0610 | ALN 061005 |
| 65 x 15 | 9820002 | ARM 0808 | ALN 080806 |
| 115 x 15 | 9820010 | ARM 0813 | ALN 081306 |
| 165 x 15 | 9820014 | ARM 0818 | ALN 081806 |
| 240 x 15 | 9820019 | ARM 0825 | ALN 082506 |

| DIN-rail 35 mm, long (Galvanized steel) | | | |
|---|---------|----------|-------------------------|
| Dimensions | Code | Symbol | For enclosures |
| 50 x 35 | 5514081 | MIV 5 | ALN 060605 |
| 160 x 35 | 3770647 | EKV 12 | ALN 081806 |
| 240 x 35 | 9822011 | ARH 26 | ALN 082506 |
| 105 x 35 | 9822001 | ARH 12 | ALN 121208 |
| 203 x 35 | 9822007 | ARH 22 | ALN 122208 |
| 343 x 35 | 9822015 | ARH 36 | ALN 123608 |
| 140 x 35 | 9822003 | ARH 16 | ALN 161609 |
| 240 x 35 | 9822011 | ARH 26 | ALN 162609 |
| 340 x 35 | 9822029 | ARH 1636 | ALN 163609 |
| 180 x 35 | 9822005 | ARH 2320 | ALN 232011 |
| 260 x 35 | 9822012 | ARH 2328 | ALN 232811 |
| 310 x 35 | 9822014 | ARH 2333 | ALN 233311 / 18 |
| 383 x 35 | 9822017 | ARH 40 | ALN 234018 + ALN 314018 |
| 580 x 35 | 9822019 | ARH 60 | ALN 316011 + ALN 316018 |

Designed to mount terminal blocks. Ideal for housing and protecting different sensor types/electr. components.



Including:

Base with screws for mounting plate/DIN-rail, cover with PUR gasket and stainless steel cover screws.

ENCLOSURE:

- 1 Base
- 2 Cover, grey
- 3 Cover screws, various versions



ACCESSORIES:

- 1 Fastening lugs (4 pcs.) incl. screws
- 2 Mounting plate, electro-galvanised steel, stable and impact-resistant
- 3 DIN rail with mounting screws different sizes TS 15 / TS 35



FIBOX
Enclosing innovations

www.fibox.com



Distributor:
Power Control Products (Aust) Pty Ltd
Unit 5, 144-146 Bannister Road
Canning Vale 6155, WA
Tel: (03) 9256 2133
Email: sales@powercontrol.com.au
Web: www.powercontrol.com.au